

# CLESTA II



TAKARA BELMONT CORPORATION  
OSAKA HEADQUARTERS : 2-1-1, HIGASHI-SHINSAIBASHI, CHUO-KU, OSAKA, JAPAN 542-0083  
TEL.+81-6-6213-5945 <http://www.takarabelmont.co.jp>

Dental Treatment Center

The manufacturer reserves the right to alter or improve specifications without notice.



## Over The Patient Type

Belmont has combined cutting edge technology with traditional values for a dental treatment centre that offers sophistication, performance, flexibility and above all durability.

It epitomizes Belmont's reputation for innovation, style, practicality and reliability. Technologically advanced and superbly engineered it represents a new generation of dental systems.



## Cart Type

The split cart type, crafted with a solid iron steel height-adjustable 'U' frame, offers additional flexibility.



With an optional large size operator's tray.

4.5m or 6m cart hose available as an optional extra.

## Pedestal Type

Pedestal type cuspidor unit has no umbilical; this eliminates the need for a utility box, contributing to a tidier appearance and easier cleaning.



Utility box for pedestal type



Pedestal Type / Cart

## Holder



A Type



E Type

## Rod



With optional left side control panel for E type



A Type



E Type

## Place



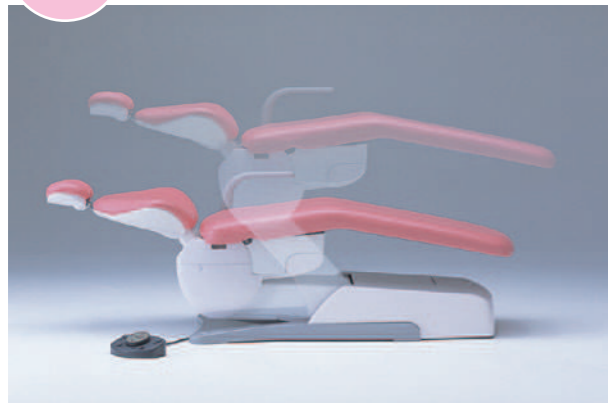
E Type

## Variation

Type	Holder	Place	Rod
Over The Patient Type	A • E	E	A • E
Cart Type	A • E	E	-
Pedestal Type	A • E	E	A • E
Pedestal Type / Cart	A • E	E	-

A = Air Type E = Electric Type

### Chair for Chair Mount Type



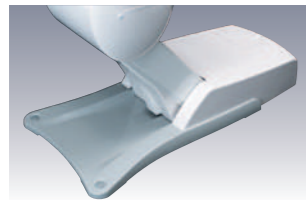
#### Adjustable chair positioning

A wider range of movements offers a practical working environment that meets all the operators' requirements.



#### Axis backrest

Synchronized axis backrest ensures optimum patient comfort at all times. Ultra slim backrest for ease of access for both operator and assistant.



#### Durable diecast base

The sleek styling of the durable aluminum diecast base offers the dentist improved access with maximum chair stability.



#### Service centre

The built in service centre eliminates the use of external umbilical hoses.

### Chair for Pedestal Type



#### Folding legrest chair

Slim, yet comfortable backrest and vending chair enables easy access to the patient.



#### Axis backrest

The ergonomic, AXIS mechanism backrest supports the patient comfortably and accommodates the natural movements of the patient's body.



#### Armrest

Swing-out armrest allow the elderly, handicapped, and others in wheelchairs to get on and off safely and easily.



#### Joystick switch

The joystick switches enable the operator to position the patient quickly and accurately, keeping hands free and clean.

### Unit



#### Central control panel

The central control panel incorporates easy clean membrane switches to control chair movements, cuspidor bowl flush and cup filler.



#### Integrated cuspidor

The highly durable integrated cuspidor creates an attractive, aseptic environment for the patient and the smooth surface makes it easy to clean.



#### Assistant's console

The assistant's console includes 3-way syringe, vacuum and saliva ejector tubings, and easy clean membrane switches to control chair movements, cuspidor bowl flush and cup filler.



#### Service outlet panel

The service outlet panel is easily accessible and simple to clean.



#### Foot control

A2 (Control of air instruments, water on/off and chip air) for A type. SE (Control of air instruments, water on/off, chip air and control of electric motor/scaler) for E type.



#### Operator's table

Incorporating holder type instrumentation with "first priority system"\*\*, the operator's table is adjustable both vertically and horizontally to give optimal positioning.



#### Glass bowl

Detachable glass bowl is durable, transparent and easy to clean.



#### Solid collector

Easy access solid collector incorporates detachable lid and filter to enable quick and efficient cleaning.



#### Dental size film viewer

LED backlight intra oral film viewer



#### 701 dental light

The smooth, balanced yet compact operating light with composite safe mode for increased operators efficiency. The unique sensor permits touchless on/off operation. The mirror and detachable handle are available as an optional extra. 28000/18000 lx at treatment mode and 8000 lx at composite safe mode.

## Chair



### Double articulating headrest

Easily adjustable for improved patient positioning. Suitable for both adult and child.



### Right armrest

Right side armrest ensures patient's comfort and relaxation.



### Ratchet gear type assistant holder arm

Ratchet gear type assistant holder arm enables easier height adjustment.



### Bottled water system

The bottled water system can be integrated for supply of handpiece water.

Cover for bottle

## Unit



### Small size operator's table

The small size operator's table is also available.



### Oil mist separator

Separates oil mist from exhausts of handpiece tubing.



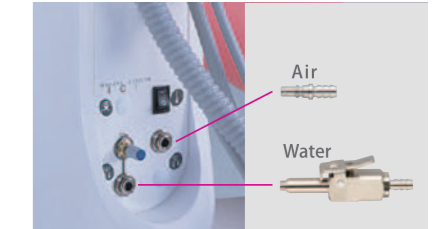
### Flush out / Flush out tray

Flushing system (an optional for A type) enables easy cleaning of handpiece water lines, and flush out tray allows hands free and programmed flushing out.



### Sensor cupfiller

Air timed cupfiller is available as standard. By choosing sensor cupfiller type, water is automatically dispensed when a cup is placed on cupfiller base. Cupfiller base is removable to aid disinfection.



### Service coupler / Quick connector air / water

Service outlet for air. Water and air quick connectors for external instrument.



### Panorama size film viewer

LED backlight panorama size film viewer. Not available for Rod type.



### Flat screen monitor bracket

LCD (Liquid Crystal Display) bracket can be adjusted to suit individual needs (monitor not included).



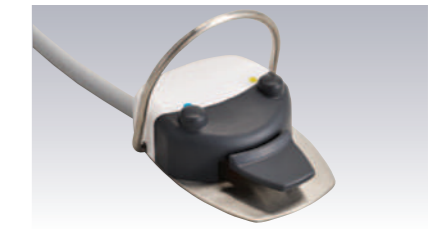
### Rectangular utility box

Rectangular utility box for easy installation. W 26 x D 56 x H 17 (cm)



### Combined foot control

Multifunction foot switch allows manual control of chair or programmed position control. Both manual and programmed position control are also available on one foot control.



### Foot control handle

A grip for portability of foot control to reduce hand contact.



### Colored spittoon bowl

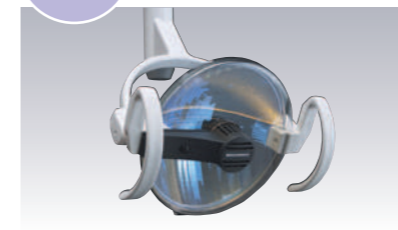
Available in pink, green and blue. Porcelain is also available (ivory color only).



### Rotatable cuspidor

The cuspidor can rotate through 90° to facilitate patient access.

## Light



### IO 5000 light

Color corrected in the 5000k range. The unique sensor allows touchless on / off operation. Three light intensities 28000, 22000 and 15000lx.



### 300 LED light

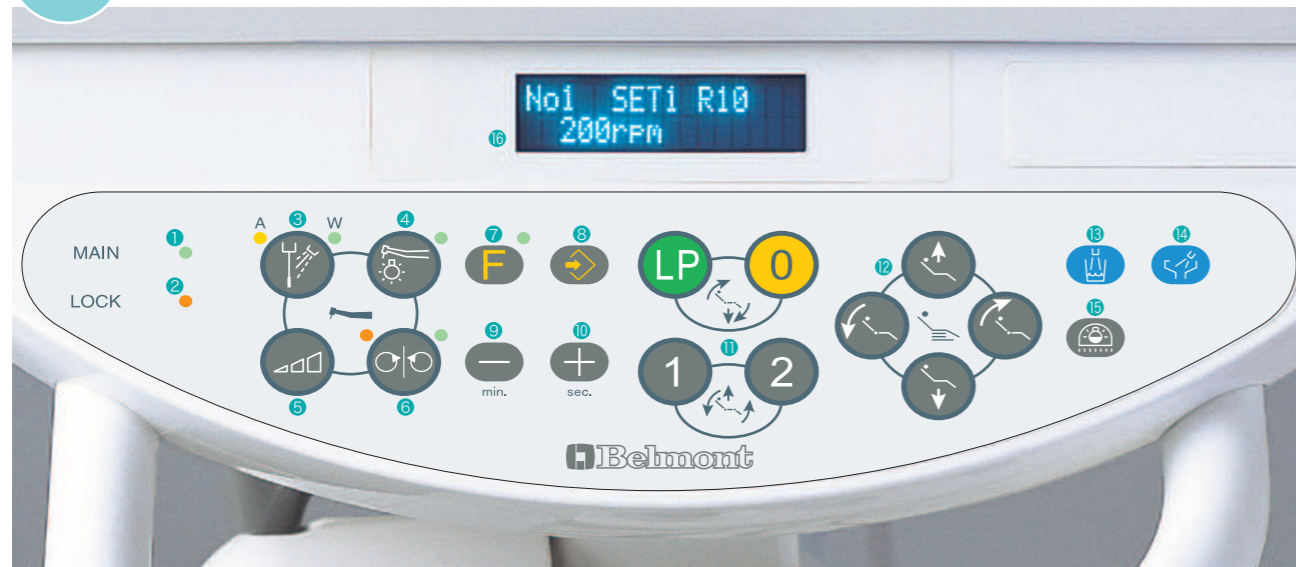
The 300 LED light provides sensor activation, stepless intensity between 3100 lx and 28000 lx, three axis rotation and clear light pattern. Composite safe mode at 4300 lx.



### 900 LED light

The 900 LED light provides sensor activation, stepless intensity between 4000 lx and 35500 lx, fluid three axis rotation and clear light pattern with high color rendering. Composite safe mode at 5500 lx.

## Electric Type Control Panel (E Type)



- 1 Power Indicator
- 2 Safety Lock Indicator
- 3 Coolant Water ON/OFF Switch
- 4 Light Pack Switch
- 5 Micro Motor Speed Setting Switch
- 6 Micro Motor Direction Control Switch
- 7 Function Switch
- 8 Store Switch
- 9 Decreasing Switch
- 10 Increasing Switch
- 11 Chair Auto Mode Switches
- 12 Chair Manual Control Switches
- 13 Cupfiller Switch
- 14 Bowl Flush Switch
- 15 Dental Light Switch
- 16 Function Indicator

## Function Switch (E Type)

	Timer	Timer set for alarm.
	Group Selection Mode	Preset position for chair and preset rotation speed for micro motor can be set for 4 groups of combination.
	Flush out system	The E type is available with a short and long time flushing system.
	Control panel switching sound on/off	Sound can be deactivated.
	Fiber optic handpiece lighting mode (Optional)	Handpiece lighting mode can be chosen.
	Electronic sound for timer	4 electronic timer sounds to choose from.
	Micro motor maximum speed setting (Optional)	The maximum rotation speed of the micro motor can be selected in 3 steps or 5 steps
	Coolant water ON/OFF switch	When using micro motor(s), either coolant water 2-mode or 4-mode of coolant water can be selected by mode select setup.
	Cupfiller and bowl flush	Select cupfiller and bowl flush to operate together or independently.

## Digital Indicator



### Micro Motor Mode

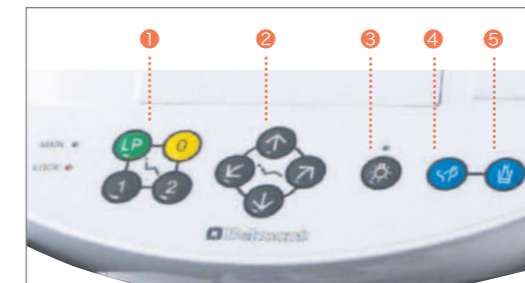
The micro motor rotation speed can be selected by sliding the foot controller pedal right or left. Rotation speed is displayed.



### Scaler Mode

Easy to confirm which mode (scaler, end, perio) scaling is being selected. Power output by display.

## Air Type Control Panel (A Type)



Membrane switches for chair controls and other necessary functions are clearly situated on the control panel of the operator's table.

- 1 Chair Auto Mode Switches
- 2 Chair Manual Control Switches
- 3 Light Pack Switch
- 4 Bowl Flush Switch
- 5 Cupfiller Switch

## Upholstery Color Options

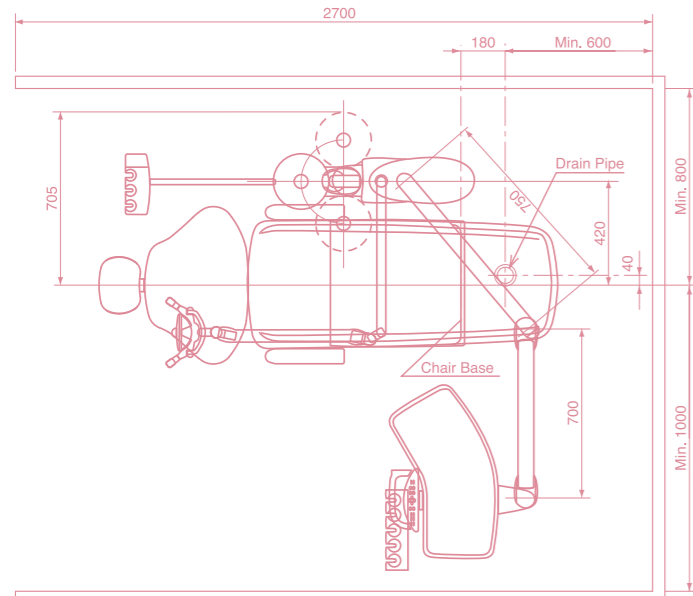


These colors are for information purposes only, please ask for a sample for a true representation.

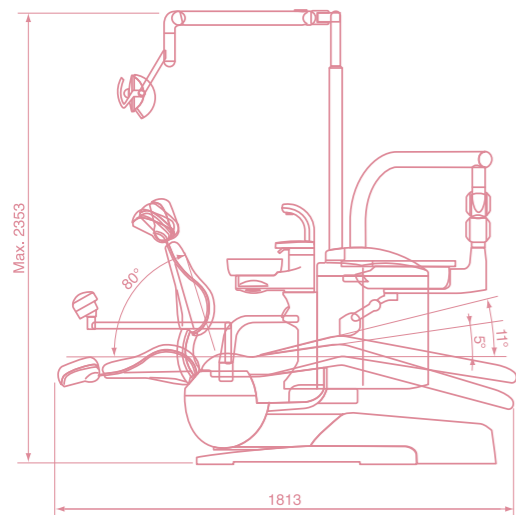
Dimensions

size (mm)

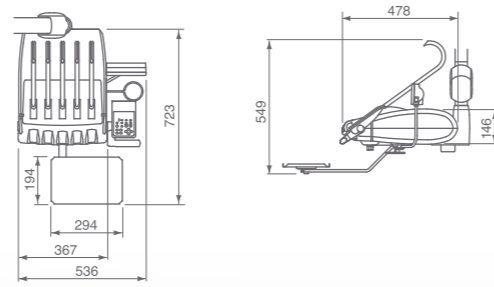
Over The Patient Type



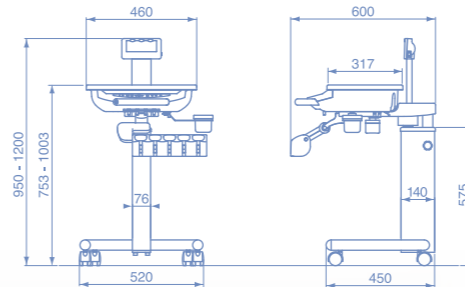
Seat Initial Height : 410 mm  
Seat Lifting Stroke : 380 mm



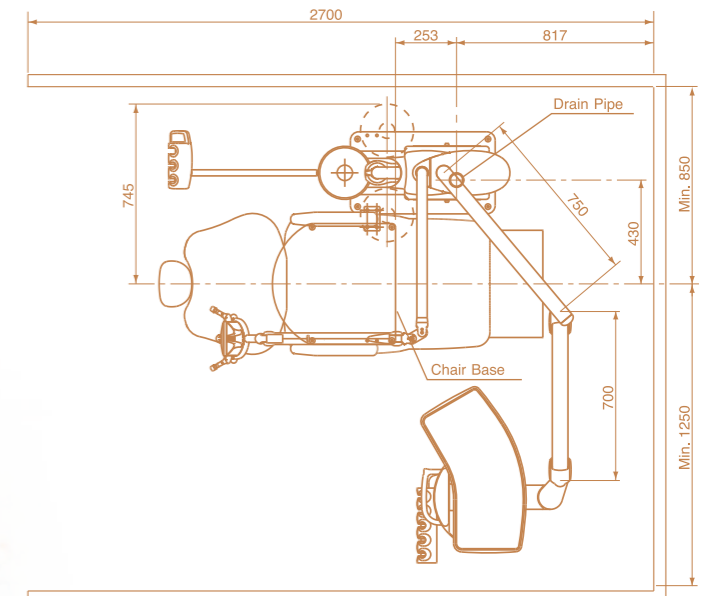
Rod Type



Cart Type



Pedestal Type



Seat Initial Height : 450 mm  
Seat Lifting Stroke : 265 mm

